

# Aspirator (A-1000S)

1.

1-1

가

가 5~35

가

가 가

1-2

(1)

,

(

)

(2)

(

)

2.

2-1

: Bath

가

:

Bath

가

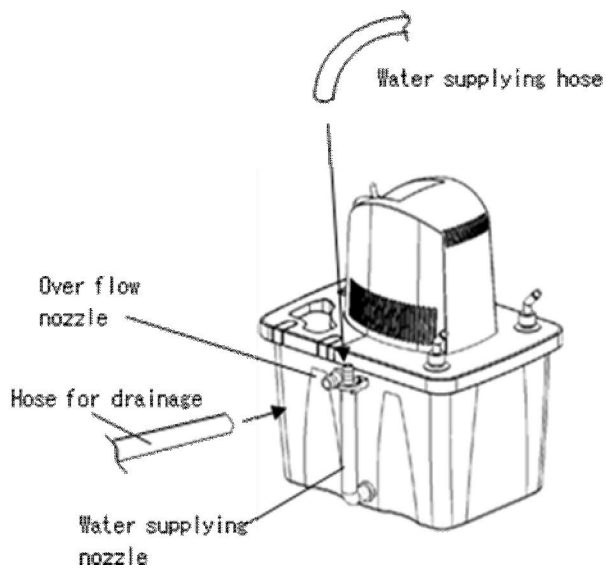
1.

(1) Over Fbw

16mm

,

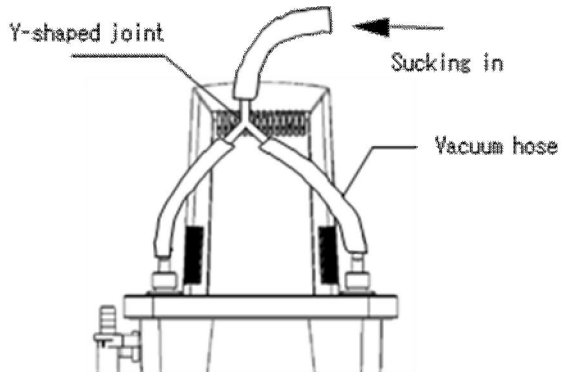
12mm



(2) 6mm

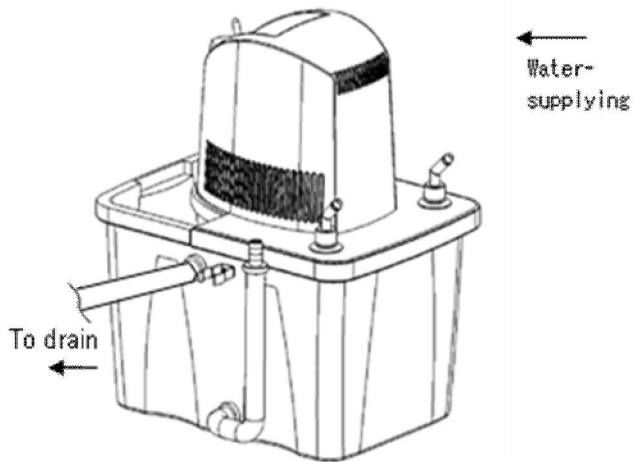
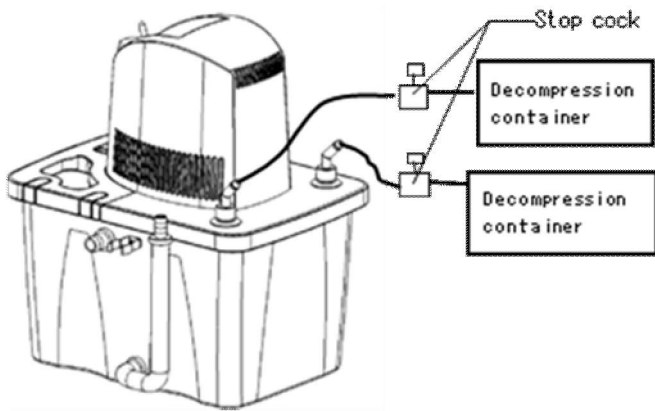
(Y

)



2.

Bath OverFlow



3.

(1)

( 가

(2)

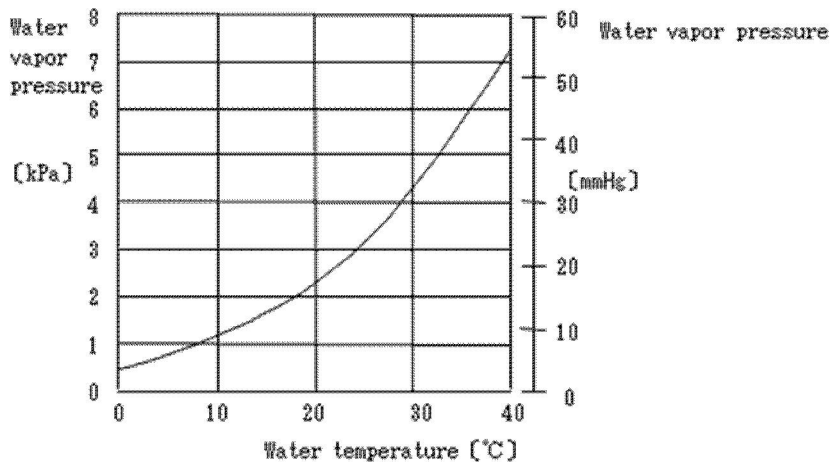
(

가 )

1. ( )

Water temp.	kPa (mmHg)
5°C	0.93 (7)
10°C	1.60 (12)
20°C	2.66 (20)

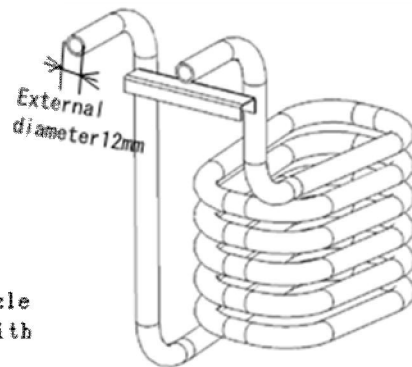
2.



(1)

Product name	Cooling coil	
Model	CCU (copper)	CCS (SUS)
Cat. No.	119050	119060

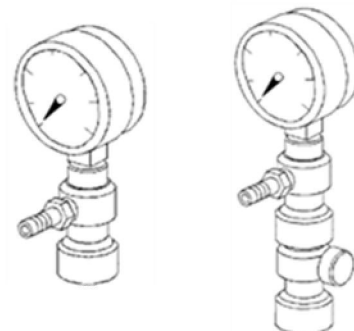
※ Cooling coil is used for cooling down the water in the bath by connecting to external circulating nozzle of low temperature circulator (CA-1112 and etc.) with using hose.



(2)

Product name	Nozzle with vacuum gauge	Controlling decompression valve
Model	VG-1000	VG-1000V
Cat. No.	210550	212380

※ Nozzle with vacuum gauge is used for checking up attainable vacuum degree of aspirator and controlling vacuum degree.



VG-1000

VG-1000V